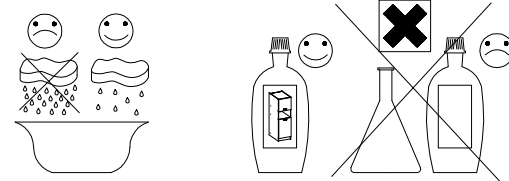
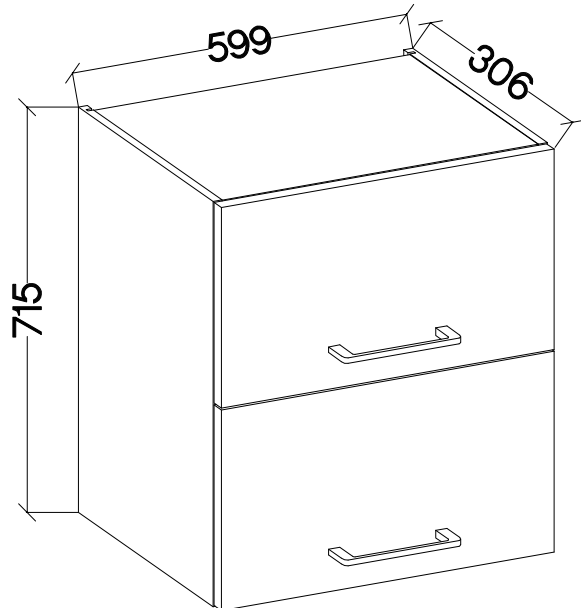
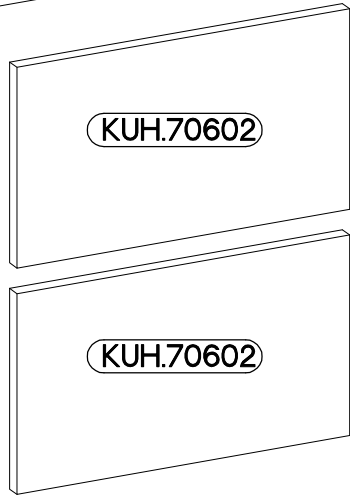
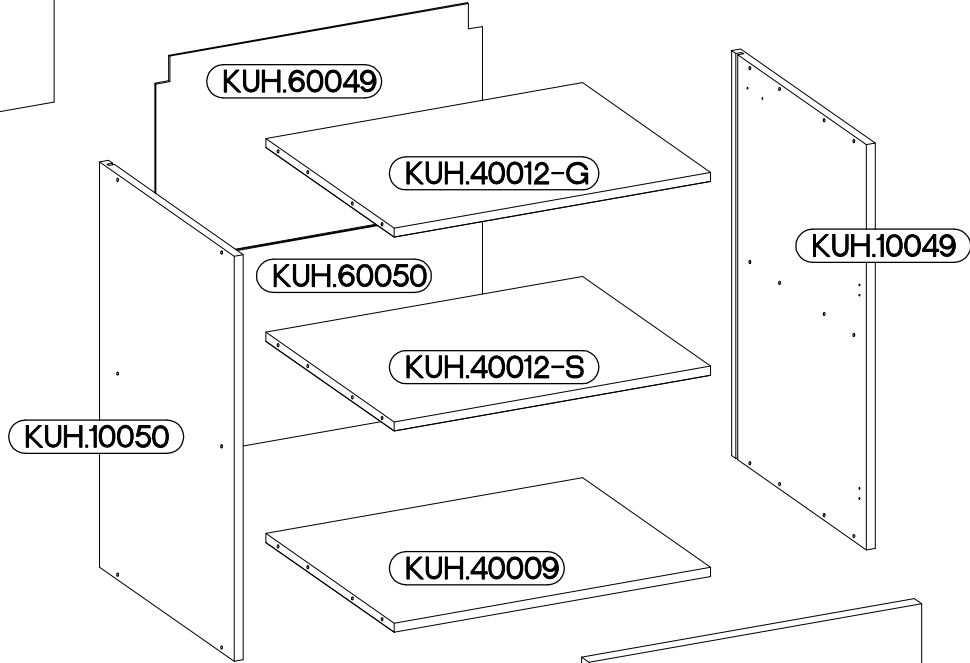
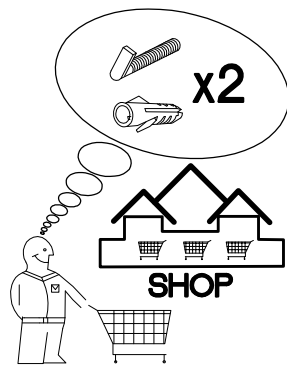


60 GU-72 2F

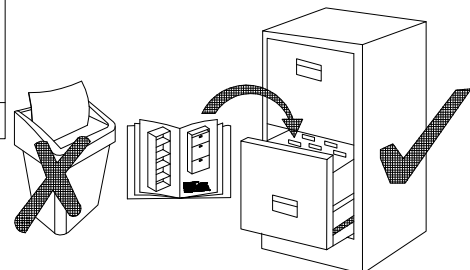


KUH.40012  
KUH.40009

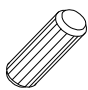
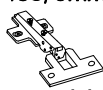





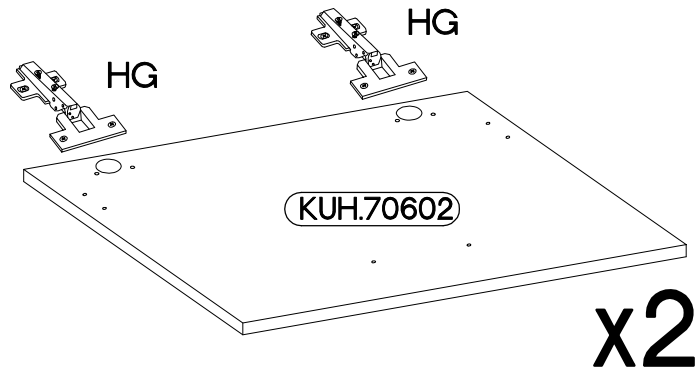
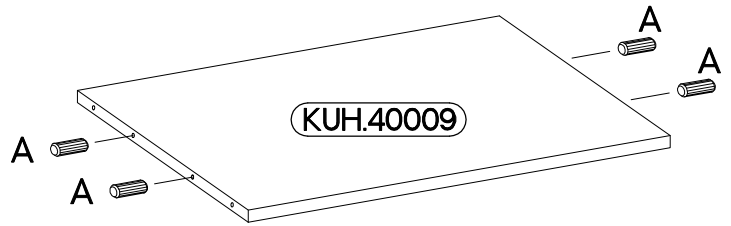
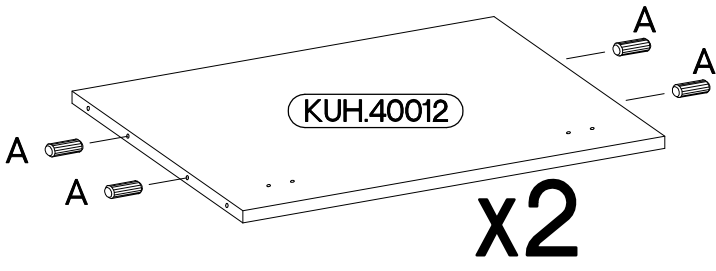
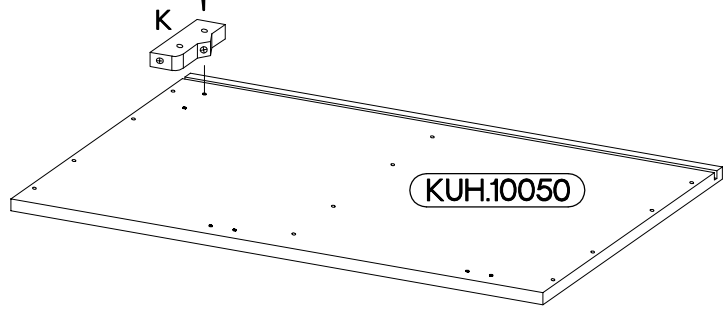
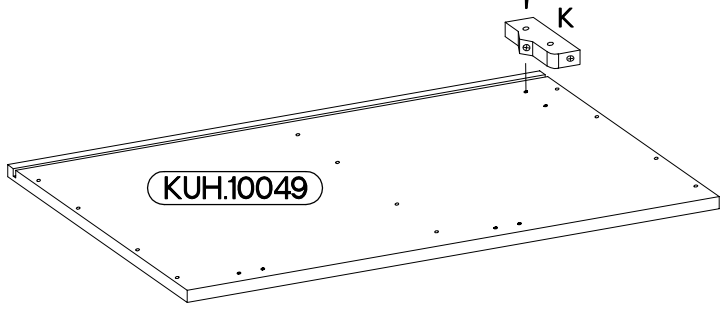
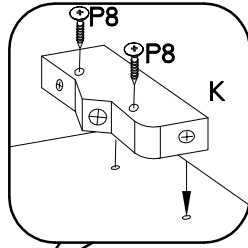
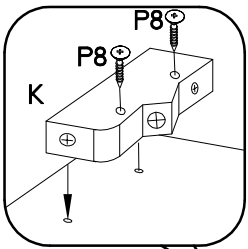
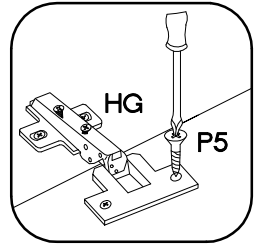
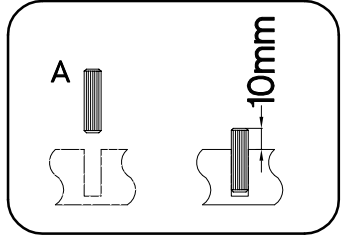
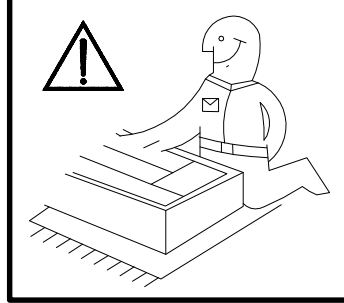
Ersatzteil Nummer	Dimension
KUH.10049	715x290x16
KUH.10050	715x290x16
KUH.40009	567x276x16
KUH.40012 x2	567x276x16
KUH.60049	585x361x2,5
KUH.60050	585x347x2,5
KUH.70602 x2	596x354x16

A 12	B 12	E1 12	HG 4	J5 4	K 2	K24 4
L2 4	O 1	P5 8	P7 10-15	P8 4	S 2	U 4


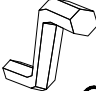



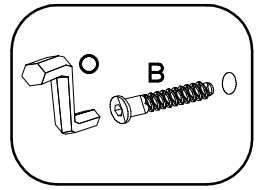
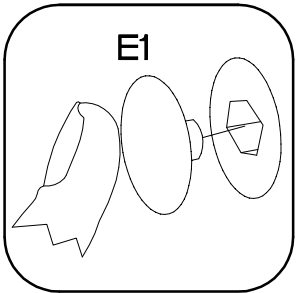
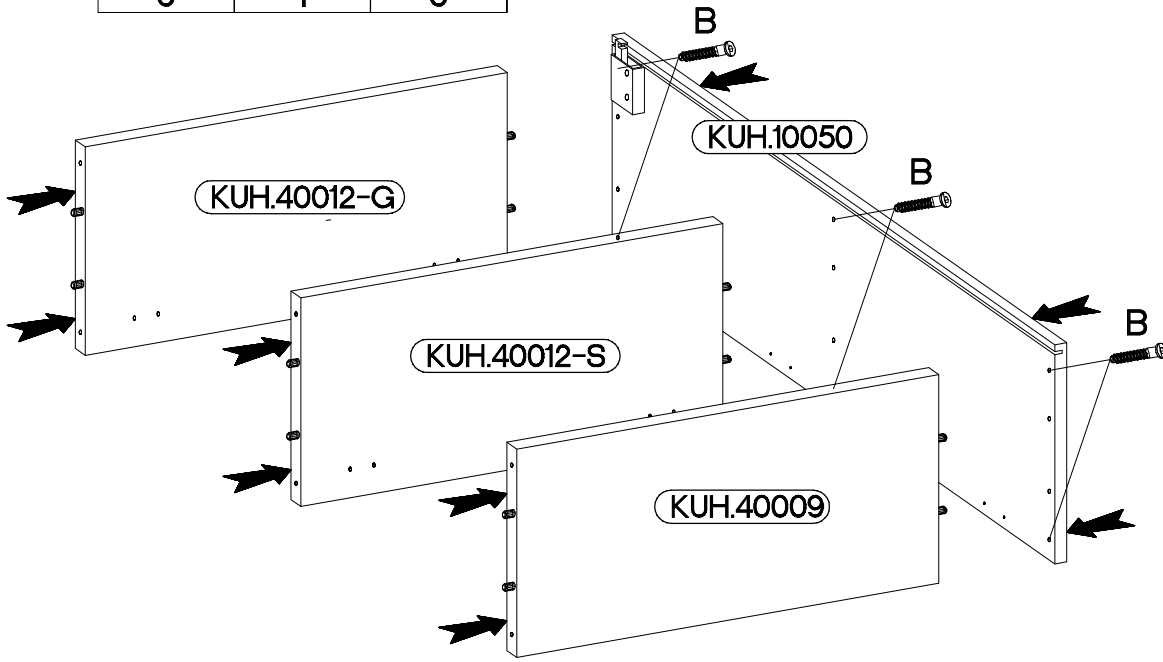
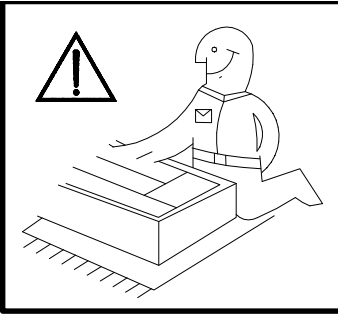
ISM-KUH-02150

±8x30mm  A 12	±35/0mm  HG 4	±3.5x13mm  P5 8	±4.0x30mm  P8 4	 K 2
--	--	--	--	--

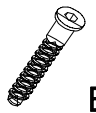
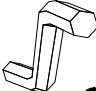



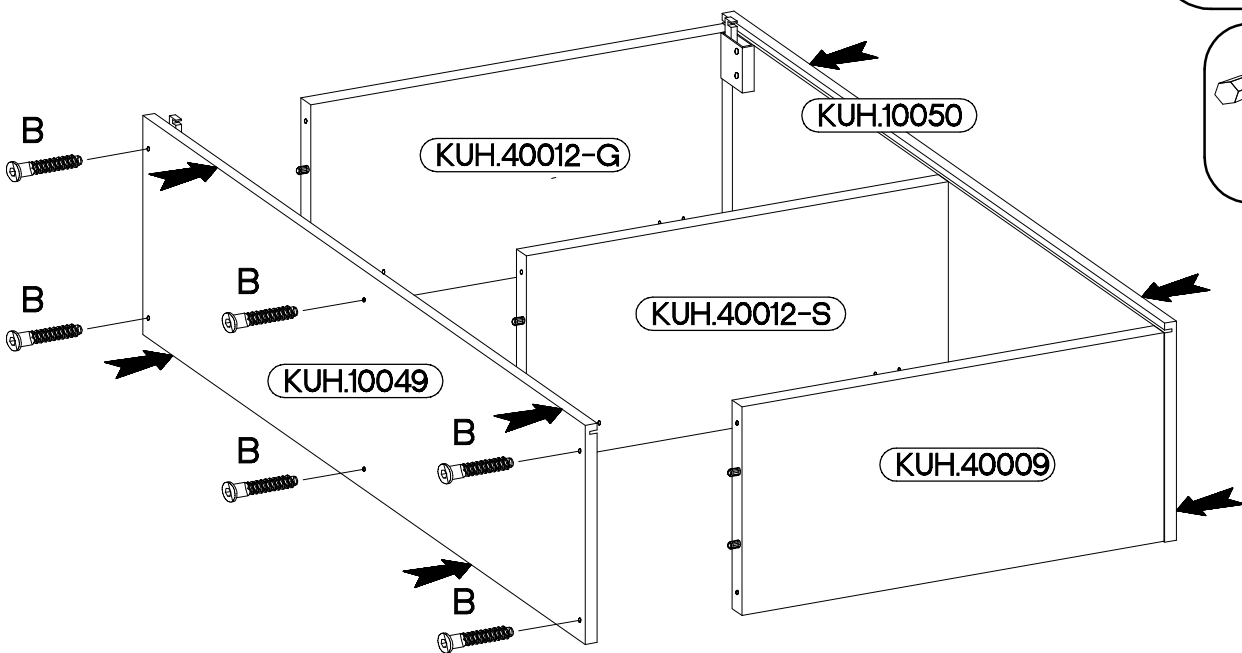
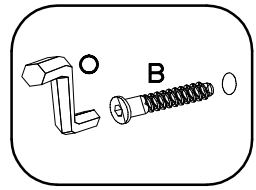
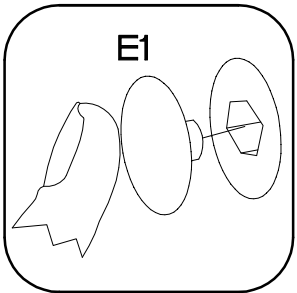
2

6,4 x 50mm		
		
B	O	E1
6	1	6

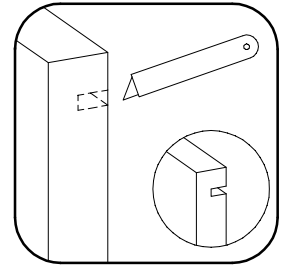
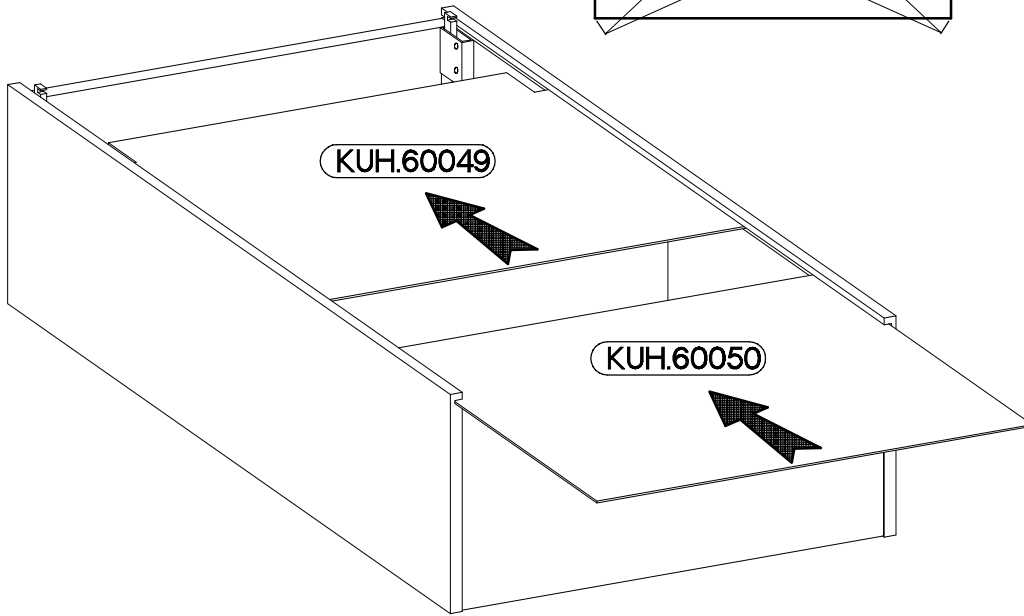
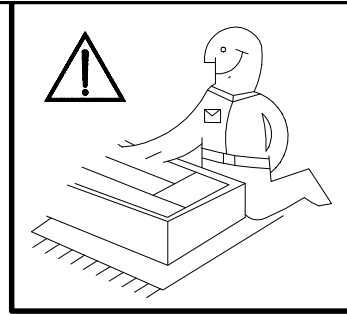
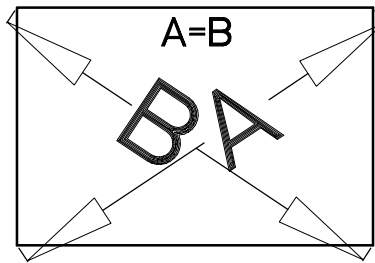


3

6,4 x 50mm		
		
B	O	E1
6	1	6

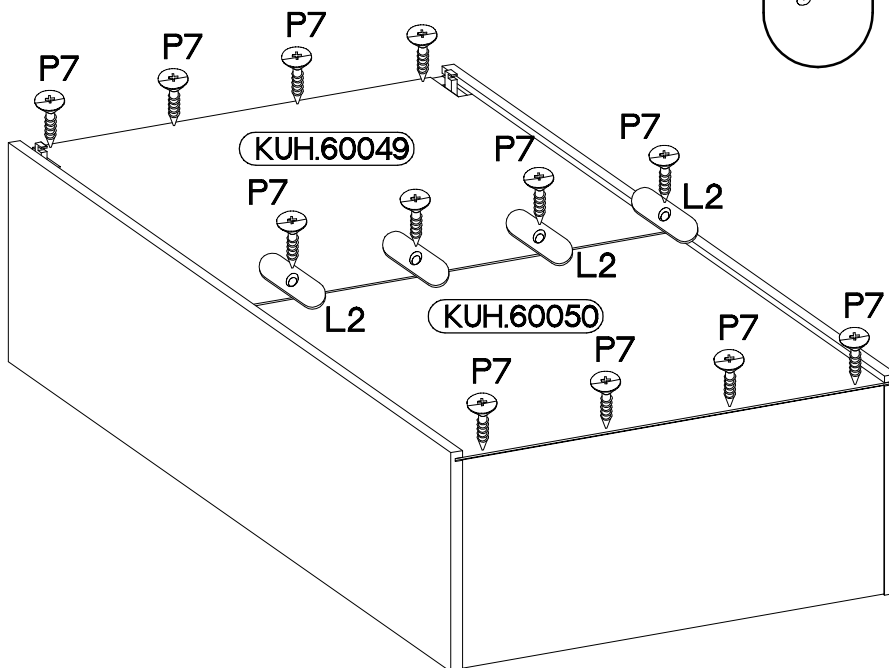
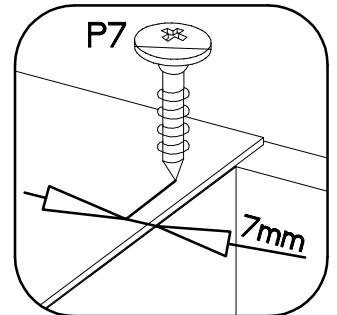
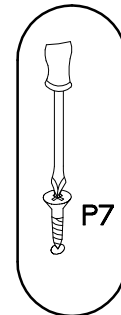


4

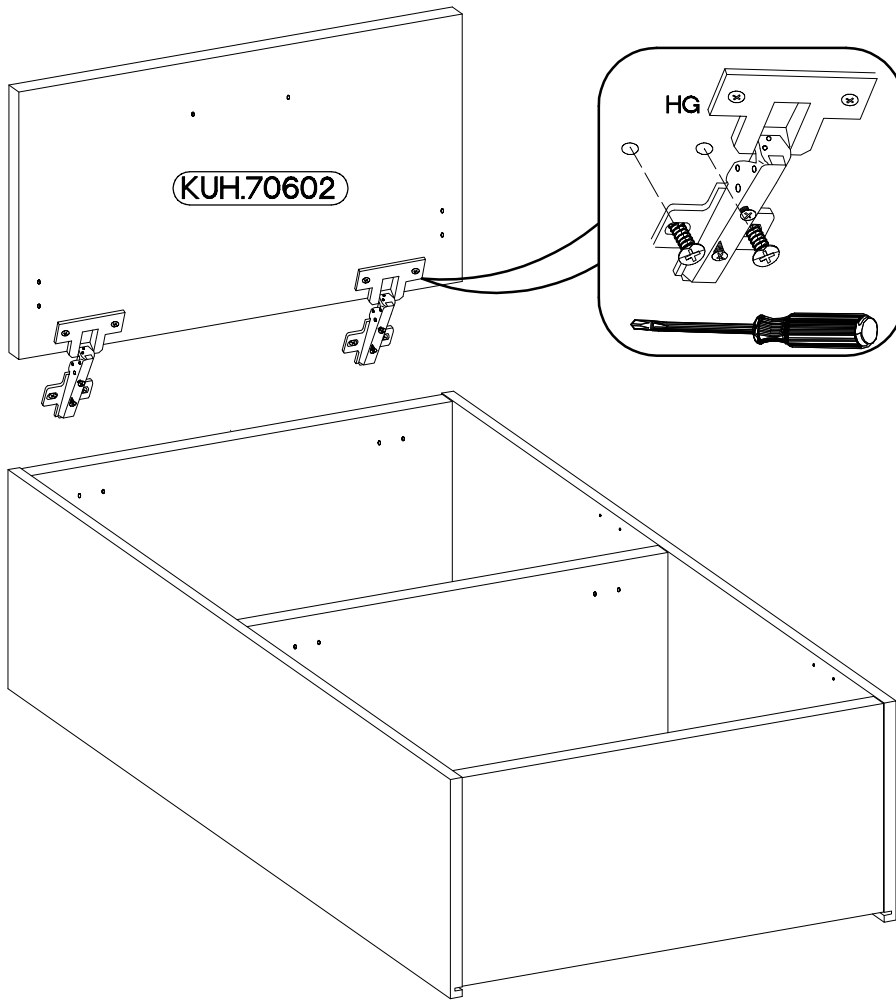


5

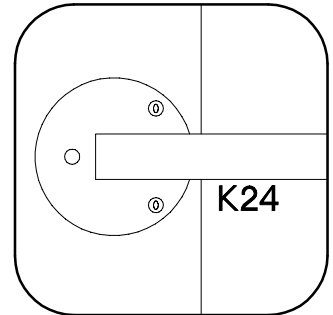
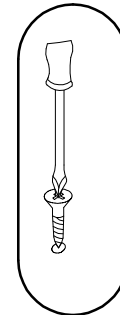
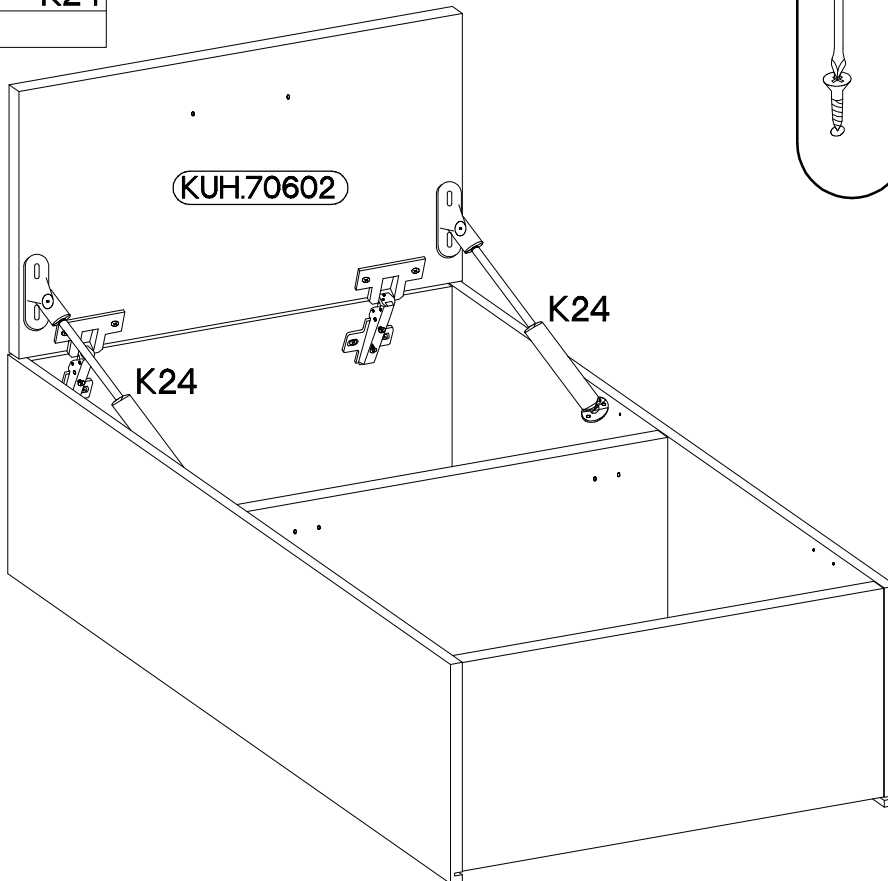
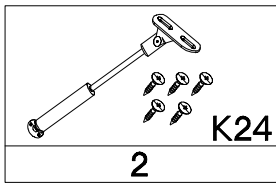
$\varnothing 3.0 \times 20 \text{mm}$  P7 10-15	 L2 4
--	-------------



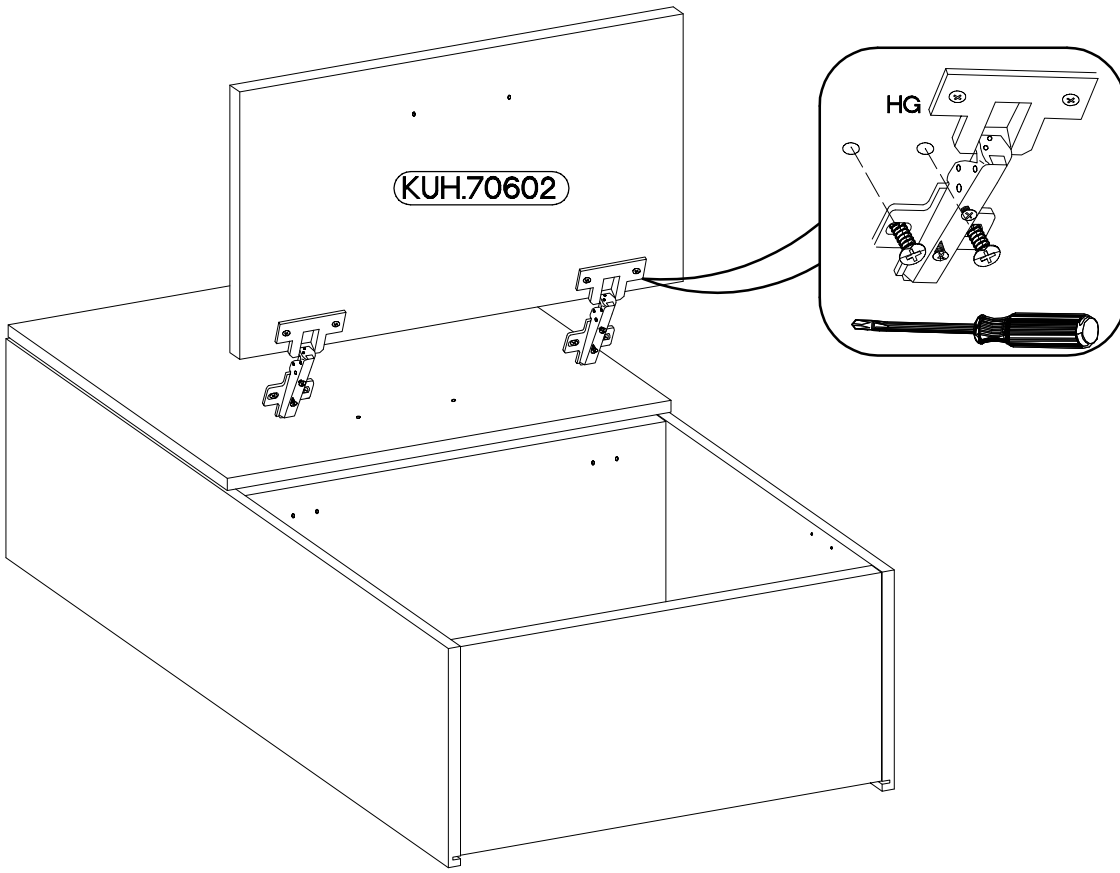
6



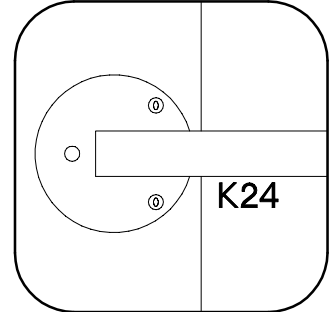
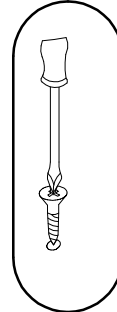
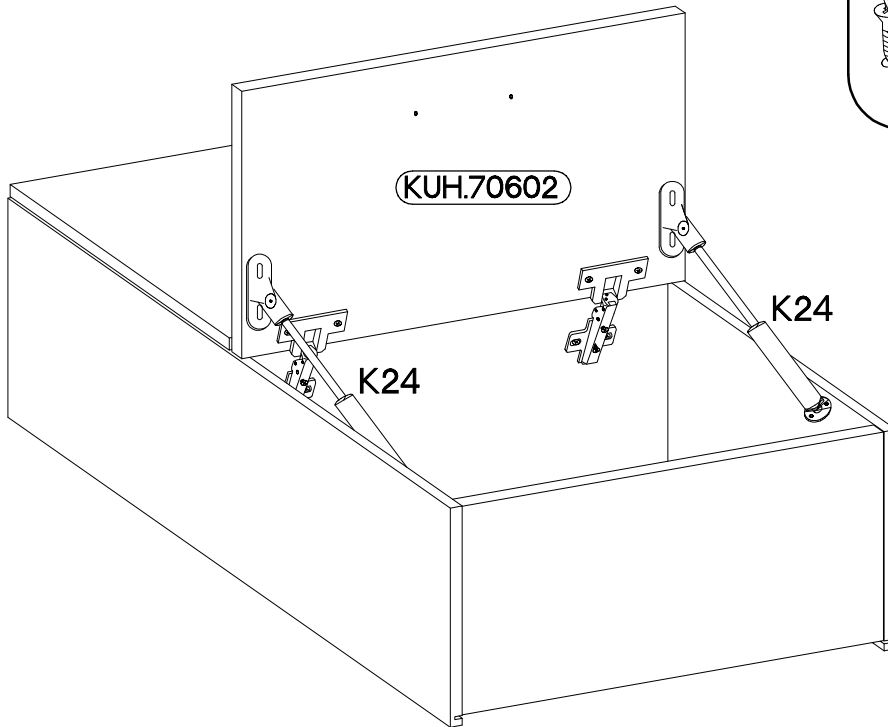
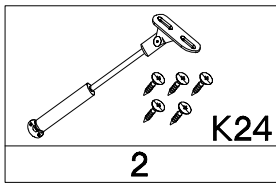
7

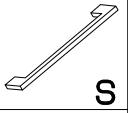




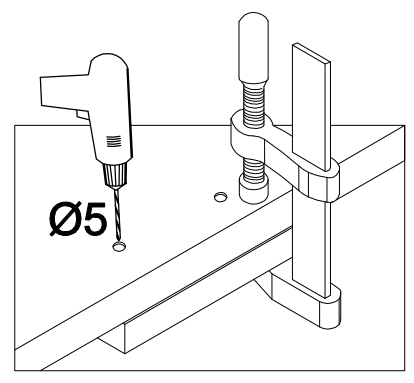
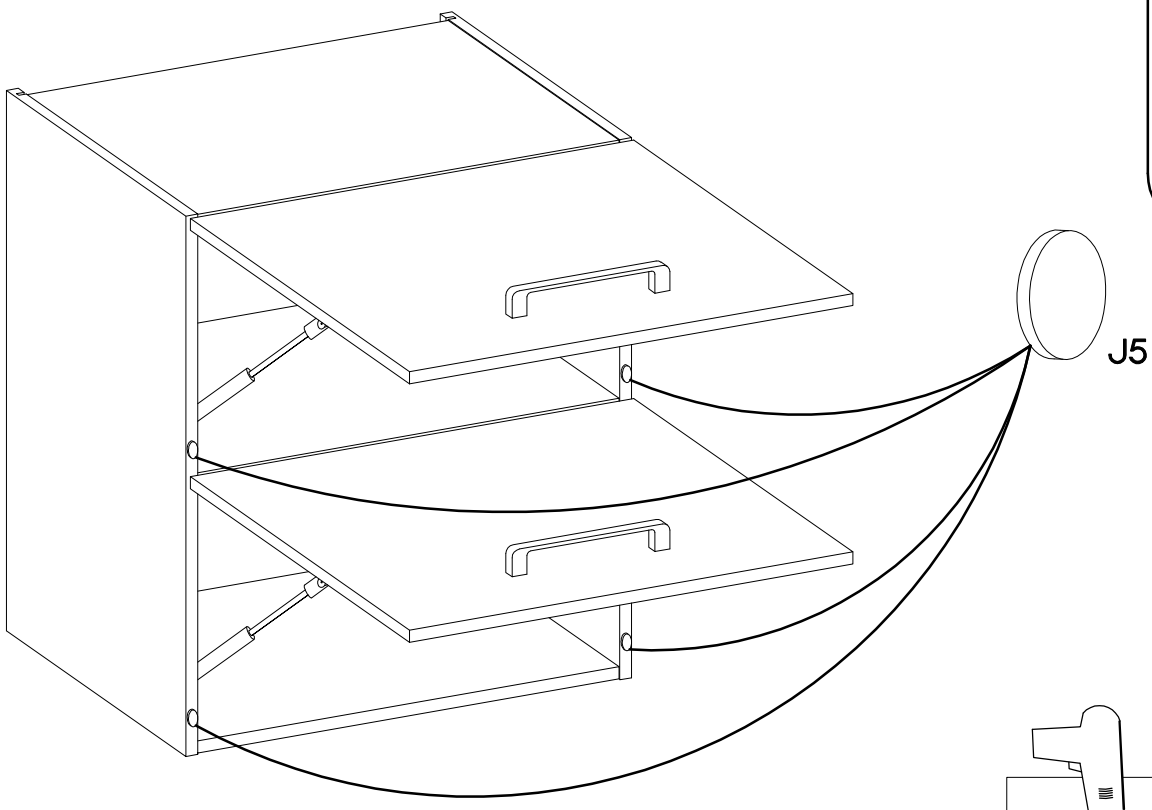
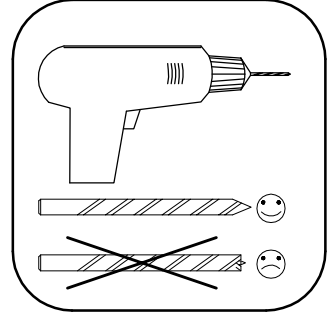
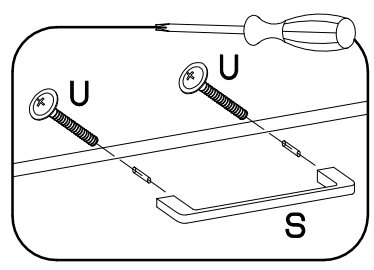
8



9



L=192mm	M4x22mm	
		
S	U	J5
2	4	4



## VARIANT HIGH GLOSS

